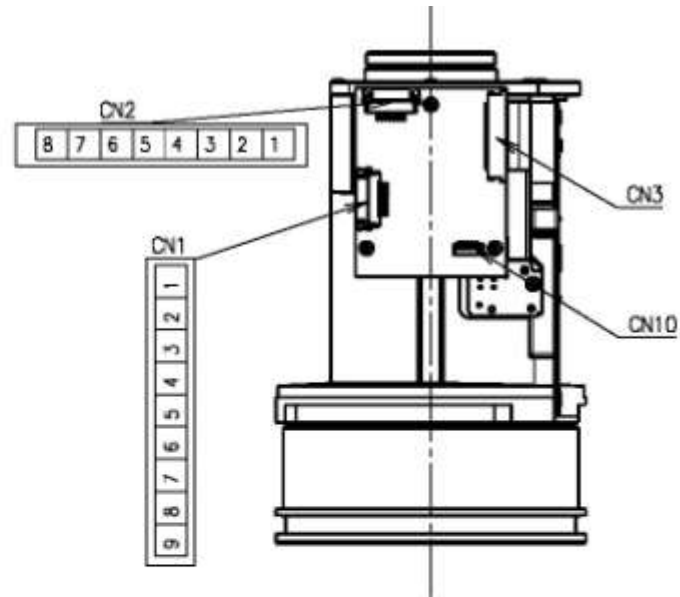


LVZ3X3516N/A



Refer to specifications #4-1 interface connector

